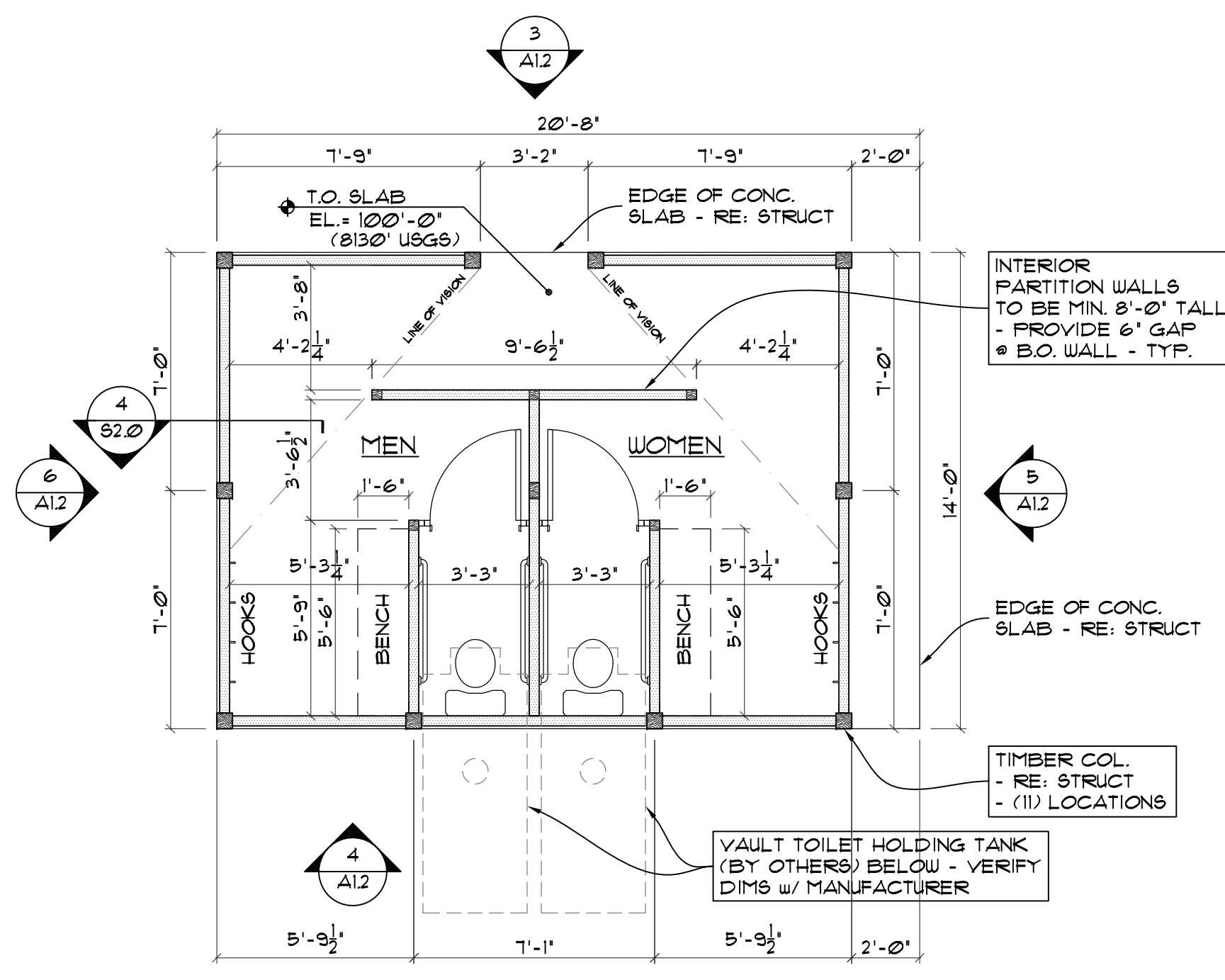
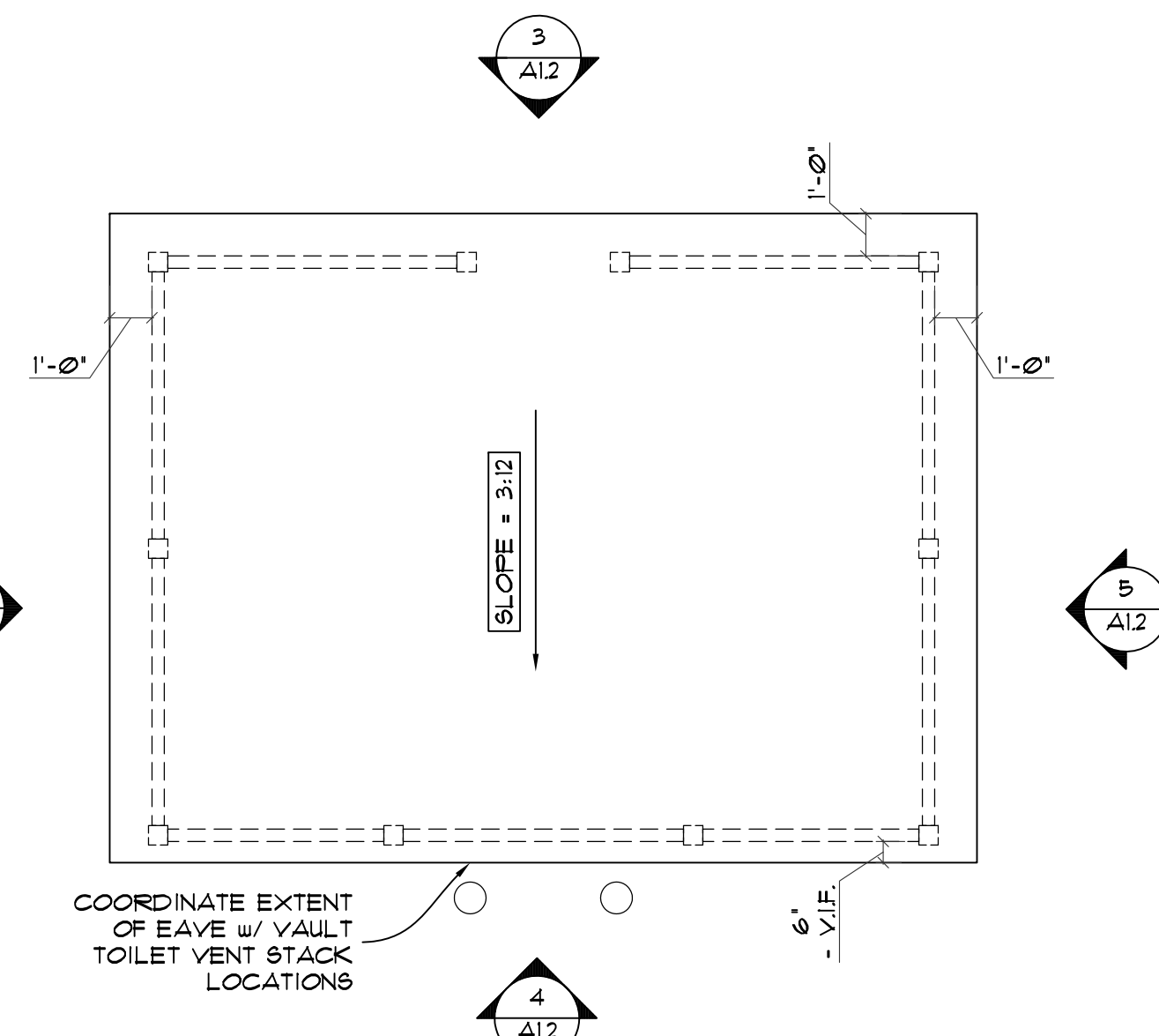


BOXED NOTES INDICATE TYPICAL NOTES



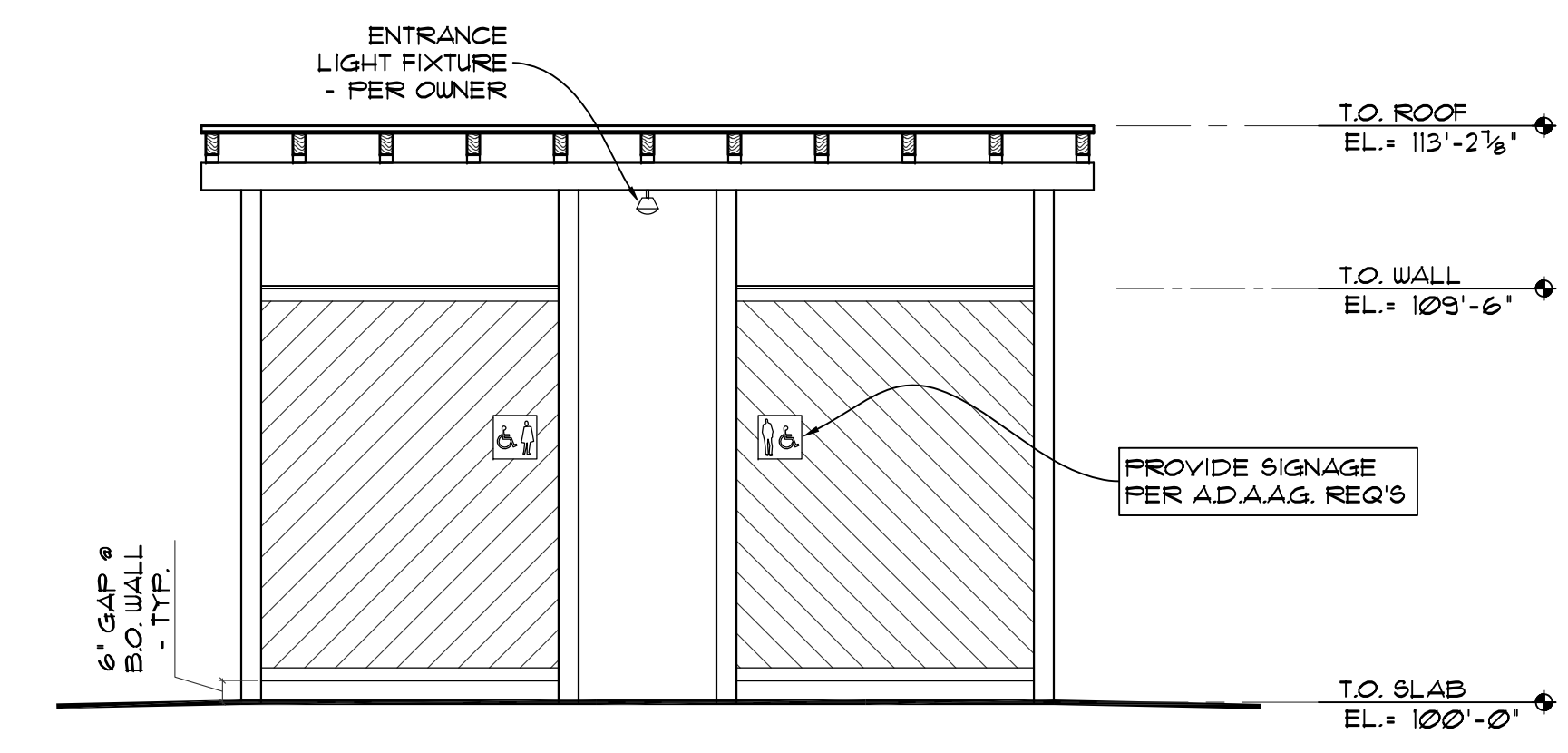
1 MAIN LEVEL FLOOR PLAN
 SCALE: 1/4"=1'-0"

- NOTES:
- BOXED NOTES INDICATE TYPICAL NOTES
 - CONTRACTOR TO VERIFY ALL DIMENSIONS & ELEVATIONS PRIOR TO CONSTRUCTION
 - VAULT TOILET BY OTHERS. CONTRACTOR TO COORDINATE VAULT TOILET HOLDING TANK INSTALLATION REQUIREMENTS PER MANUFACTURER'S RECOMMENDATIONS - RE: MANUFACTURER'S SPECIFICATIONS
 - ALL DIMENSIONS SHOWN ARE MEASURED FROM FACE OF STUD or FACE OF COLUMN UNO.

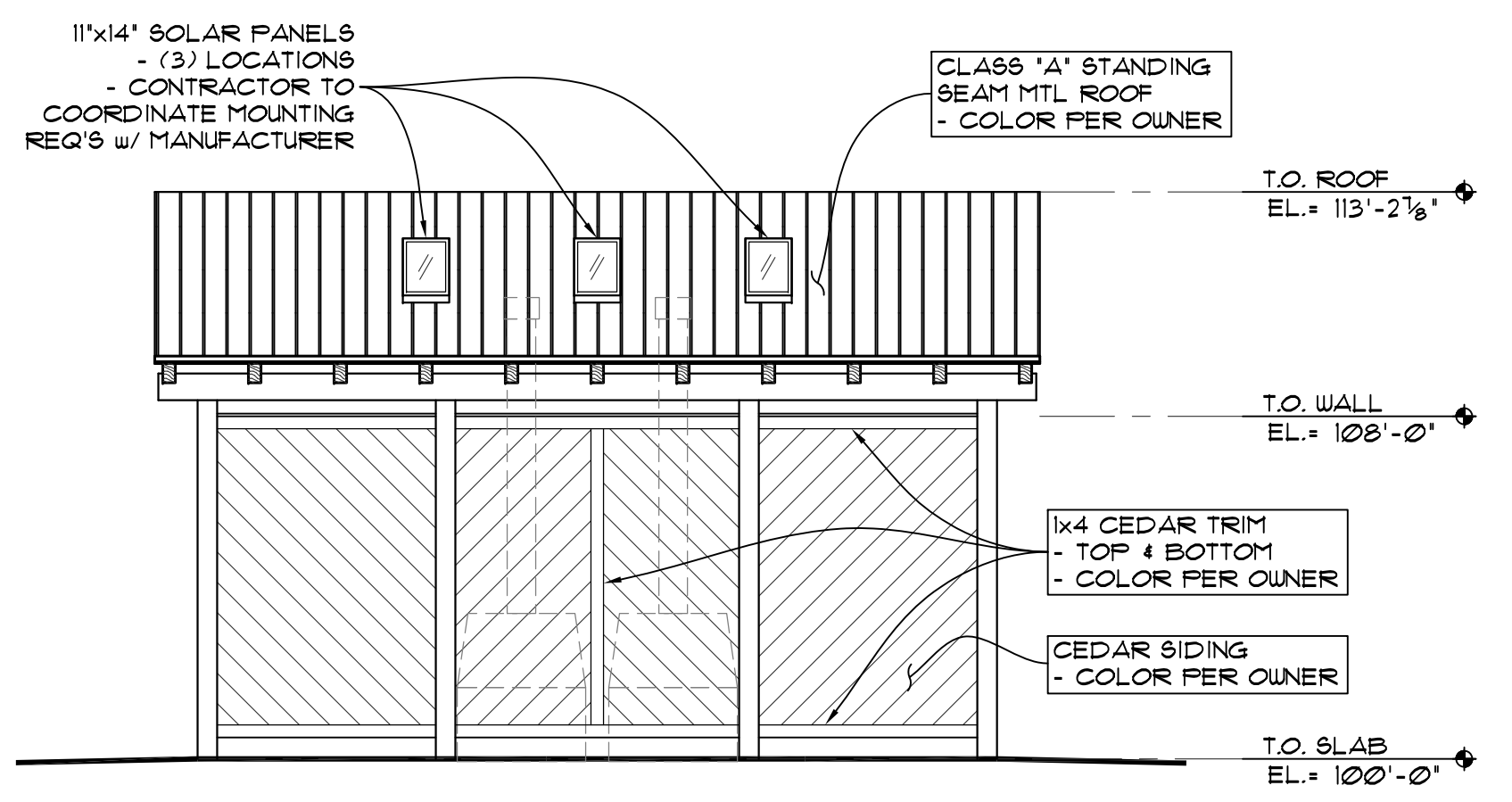


2 ROOF PLAN
 SCALE: 1/4"=1'-0"

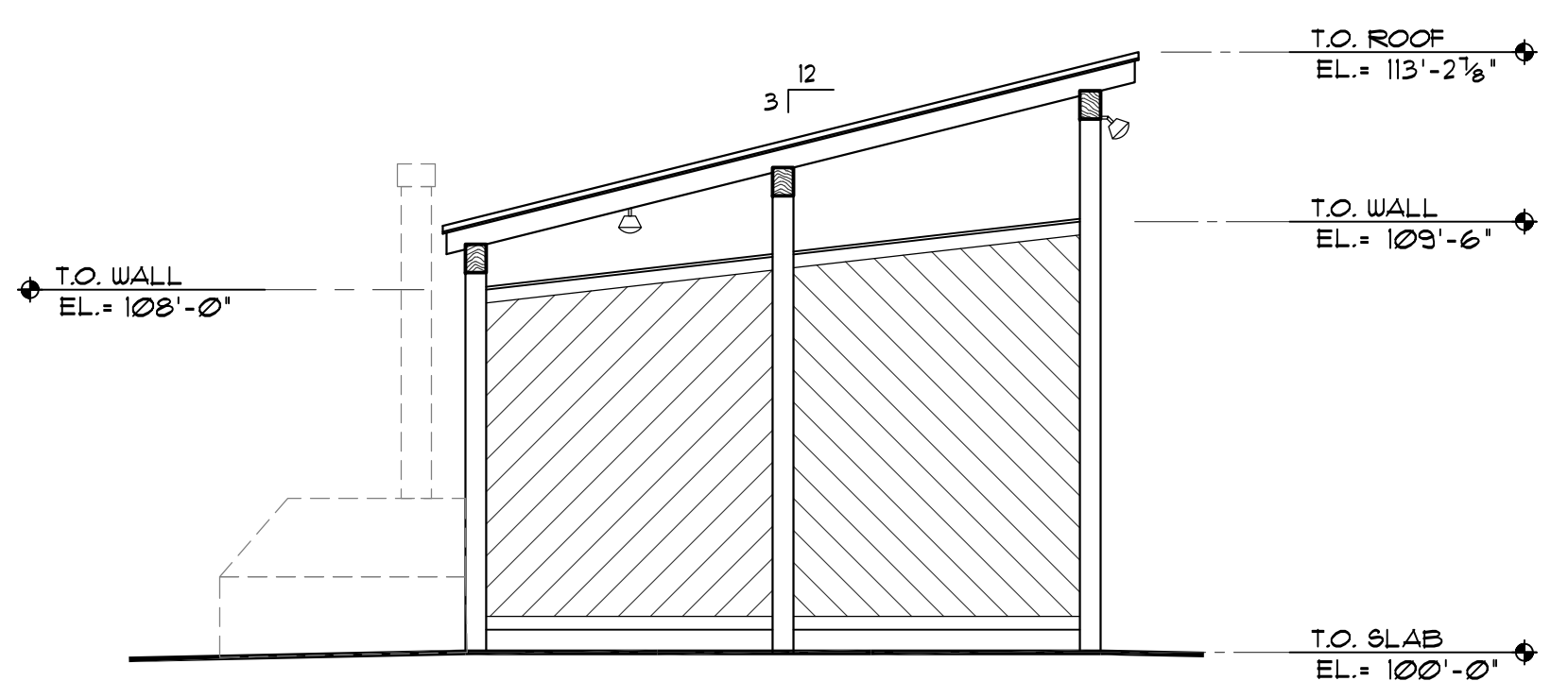
- NOTES:
- BOXED NOTES INDICATE TYPICAL NOTES
 - CONTRACTOR TO VERIFY ALL DIMENSIONS & ELEVATIONS PRIOR TO CONSTRUCTION
 - VAULT TOILET BY OTHERS. CONTRACTOR TO COORDINATE VAULT TOILET HOLDING TANK INSTALLATION REQUIREMENTS PER MANUFACTURER'S RECOMMENDATIONS - RE: MANUFACTURER'S SPECIFICATIONS
 - ALL DIMENSIONS SHOWN ARE MEASURED FROM FACE OF STUD or FACE OF COLUMN UNO.



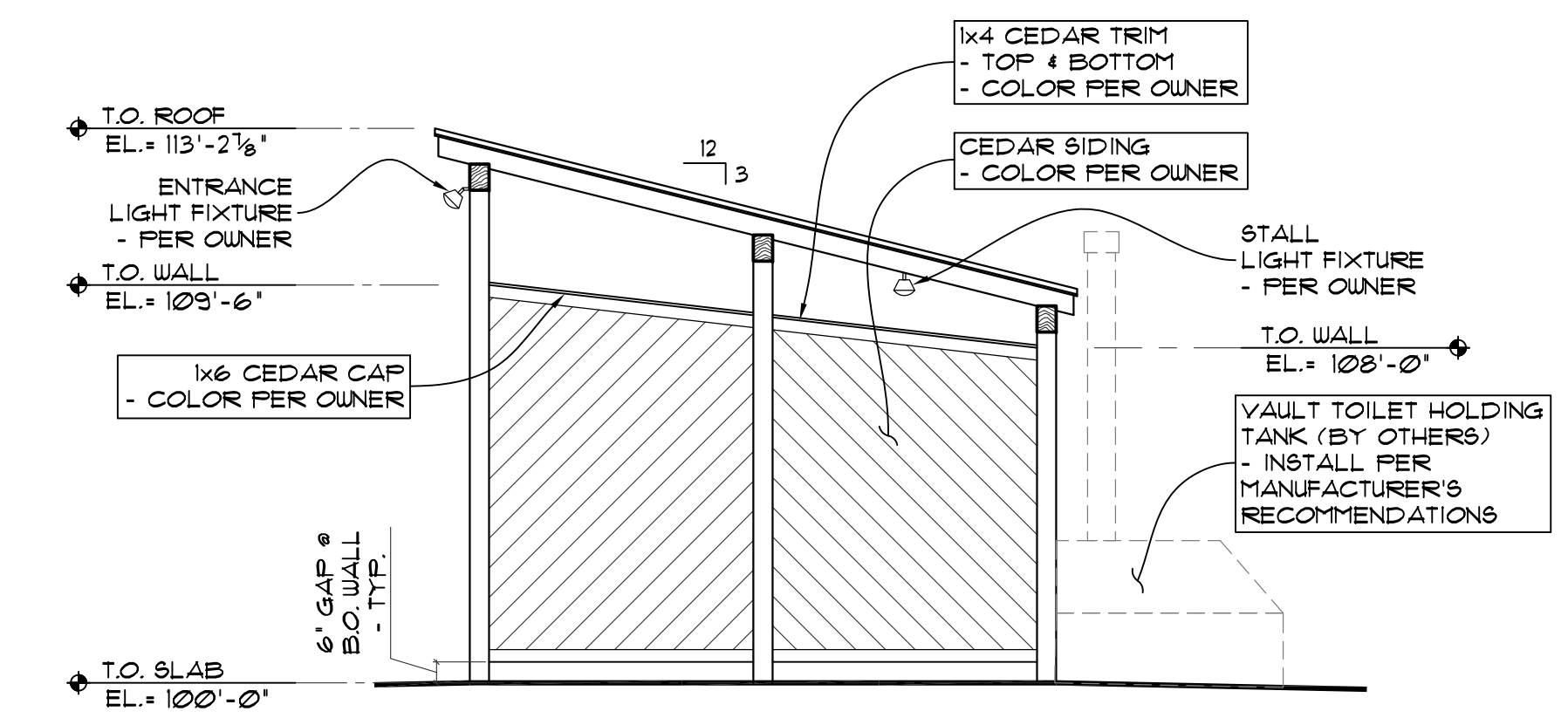
3 NORTH ELEVATION
 SCALE: 1/4"=1'-0"



4 SOUTH ELEVATION
 SCALE: 1/4"=1'-0"



5 EAST ELEVATION
 SCALE: 1/4"=1'-0"



6 WEST ELEVATION
 SCALE: 1/4"=1'-0"

No.	Issued for:	Date:
1	PRELIMINARY PRICING SET	08/08/07
2	FINAL REVIEW	05/09/08
3	BID DOCUMENTS	07/10/08
4	CONSTRUCTION DOCUMENTS	09/04/08

CLEAR CREEK WHITEWATER PARK
 LAWSON, COLORADO

CONTENTS:
 CHANGING STATION
 FLOOR PLANS
 & ELEVATIONS

ALL INFORMATION, WRITTEN AND DRAWN, WHICH APPEARS HEREIN IS THE PROPERTY OF MOUNTAIN DESIGN GROUP, L.L.C. AND SHALL NOT BE REPRODUCED, COPIED, OR DISCLOSED WITHOUT THE WRITTEN CONSENT OF MOUNTAIN DESIGN GROUP, L.L.C.

Drawn By: TTV
 Checked By: KUL
 Scale: 1/4"=1'-0"
 Date: 07/13/07
 Project #: 07-048
 Drawing #:

A1.2